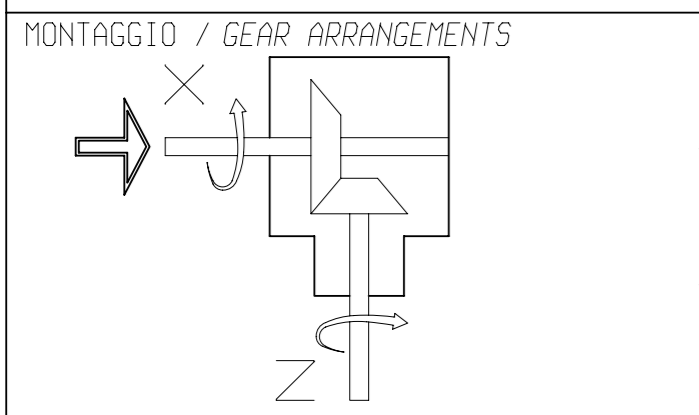


WARNING!
 ROTATING SHAFTS MARKED ARE NOT SHIELDED. ANY SHAFT AND COUPLING NOT GUARDED BY LOCATION MUST BE SHIELDED BY AN INTERACTIVE GUARDING SYSTEM. BONDOLI & PAVESI DECLINES RESPONSIBILITY IF PROPER GUARDS ARE NOT PROVIDED AND MAINTAINED.

B	Sostituito cuscinetto, era 354104025	M.Pini	29/4/2013
a	Aggiornata rappresentazione scatola e sostituiti semigusci e tappo.	Piumacci	21/6/2011
Rev.	Descrizione Modifica	Operatore	Data



MONTAGGIO / GEAR ARRANGEMENTS	RAPPORTO / RATIO	TIPO / TYPE	CLIENTE / CUSTOMER
	1:2,78	1018	
	GIRI IN ENTRATA / INPUT SPEED	TIPO DI MACCHINA / TYPE OF IMPLEMENT	PESO / WEIGHT
	540		
POTENZA IN ENTRATA / INPUT POWER	RIF.CLIENTE / CUSTOMER REF.	DISEGNATO / DESIGNED BY	DATA / DATE
10 CV 7 KW		M.Raffaldoni	3/5/04

BONDOLI & PAVESI

CODICE / CODE
S1018278R210

REV.
B